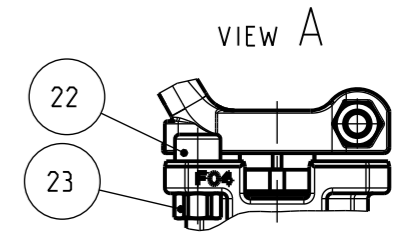
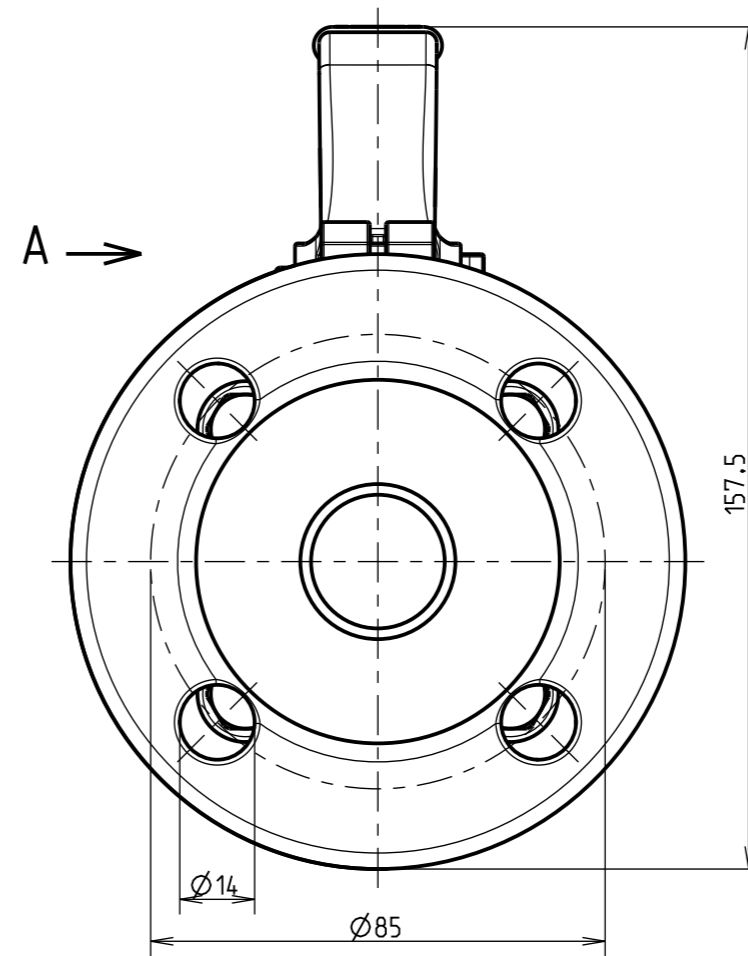
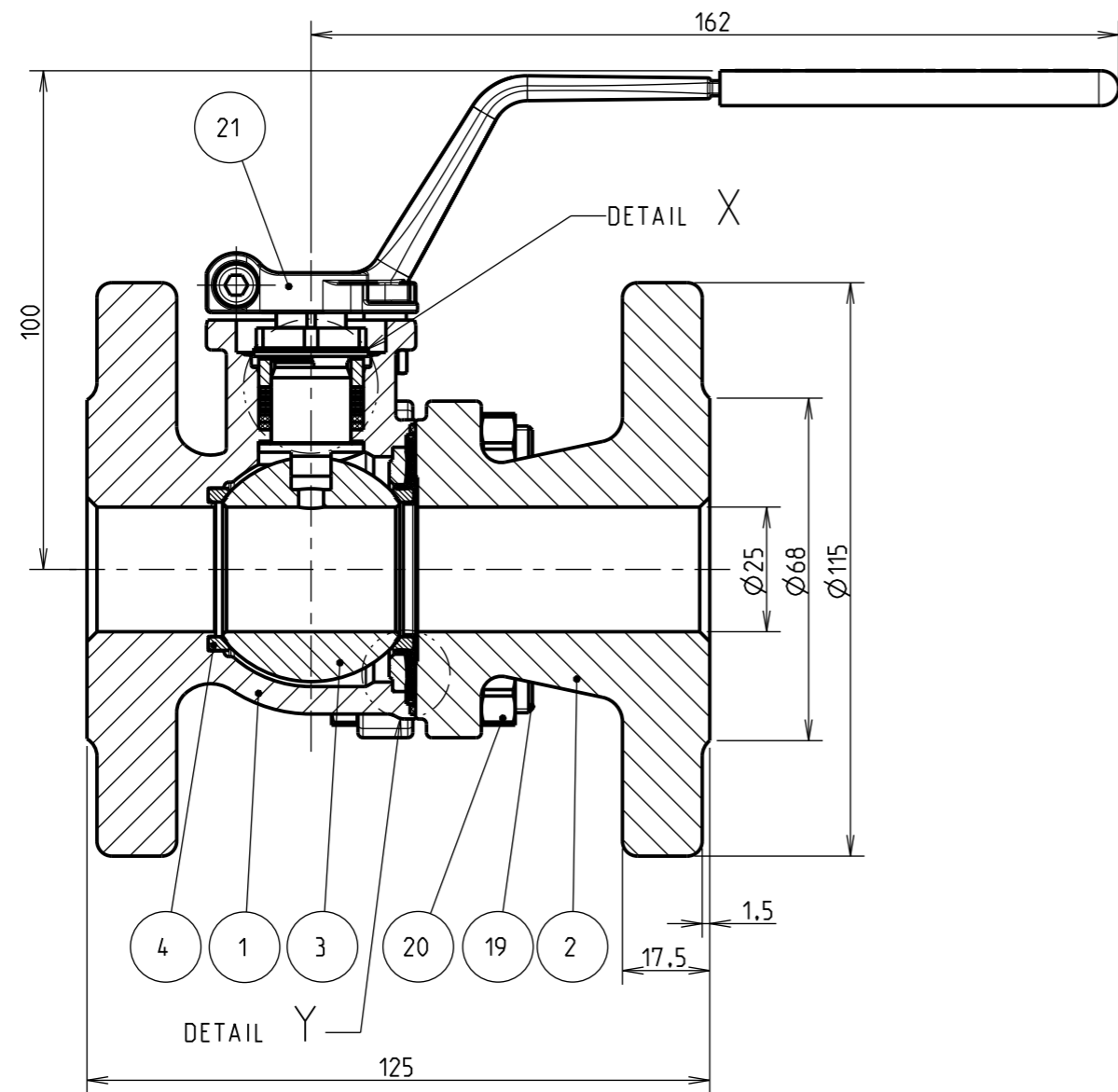
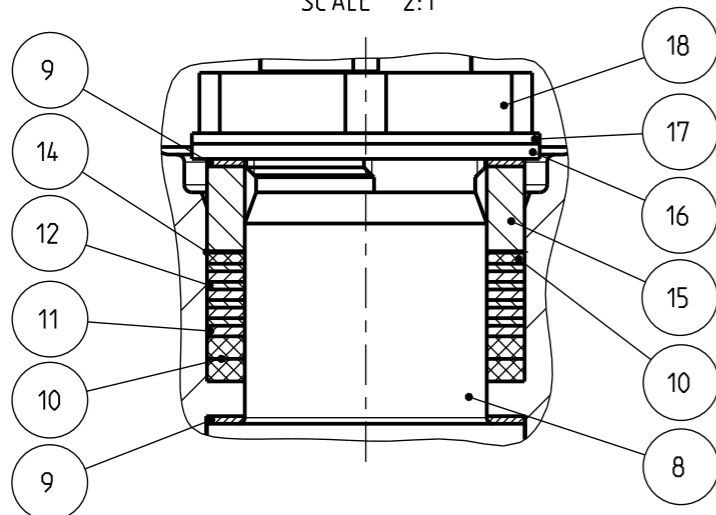


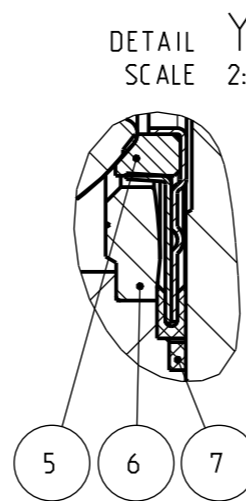
# Klinger ballvalve type KHE-FK 25 PN40 VIII-KFC/FS-LABYR with lever



DETAIL X  
SCALE 2:1



DETAIL Y  
SCALE 2:1



23	1	Hexagon nut	A4
22	1	Hex. socket head cap scr.	A4-70
21	1	Lever 11 KHE DN20/25	1.4057/Vinyl
20	4	Hexagon nut	8-VZD
19	4	Hex. head screw	8.8-VZD
18	1	Stuffing box nut	1.4404
17	1	Belleville washer	1.4310
16	1	Disc	1.4404
15	1	Thrust ring	1.4404
14	1	Disc	1.4401
12	4	Disc	1.4401
11	4	Joint ring	K-Flon
10	3	Washer	Grafit
9	2	Washer	KFC-15
8	1	Operating stem 25	1.4104
7	1	Sealing ring	Grafit
6	1	Supporting ring	SINT C39 Spez.
5	1	Sealing element	X
4	1	Sealing ring	KFC-25
3	1	Ball KHA/KHE	1.4401
2	1	Flanged end piece 25 PN40/25/16	1.0619.01
1	1	body KHE-FK 25 PN40	1.0619
Pos.	Qua.	Name	Material

Certifications:  
Fire Safe API 607 4th edition  
EN ISO 10497

Gez. :20.08.19 Santa

wOH33671